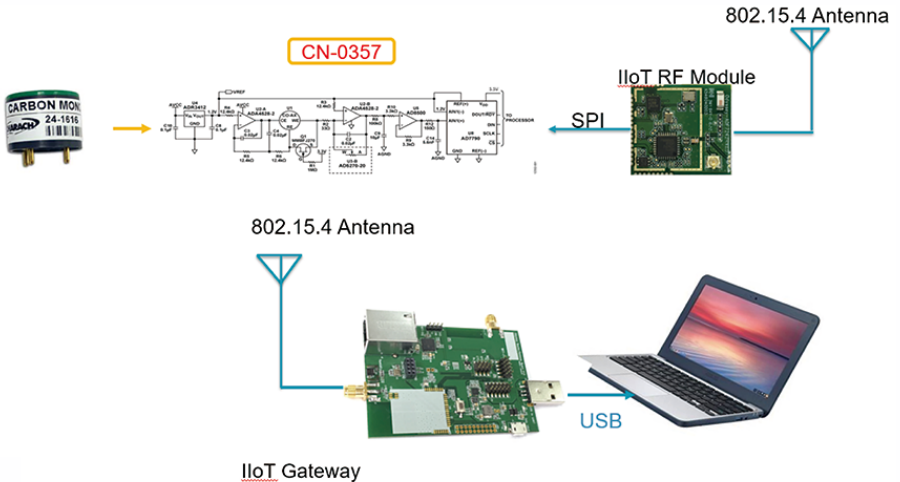
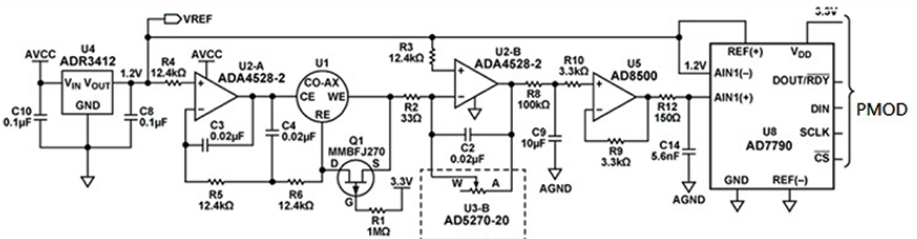


Gas sensor: CO and O2 Electrochemical sensor + IIoT Module



IIoT Gateway



Focus market and applications

- Indoor Environmental Gas Monitoring
- Factory Environmental Gas Monitoring
- Traffic Environmental Gas Monitoring

Solve the design challenge

- Total Solution , easy design.
- Low Power , battery powered.
- Simple, easy to install.
- Wireless , RF send data.