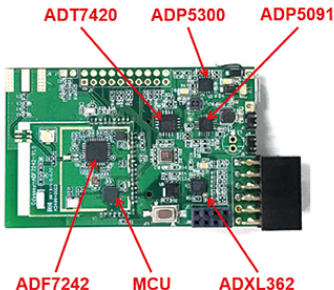
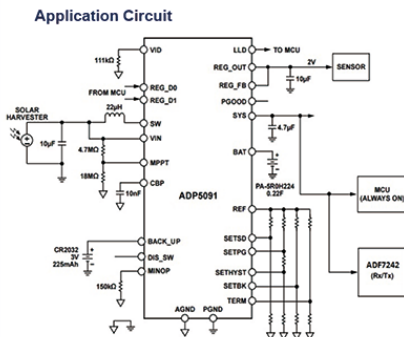
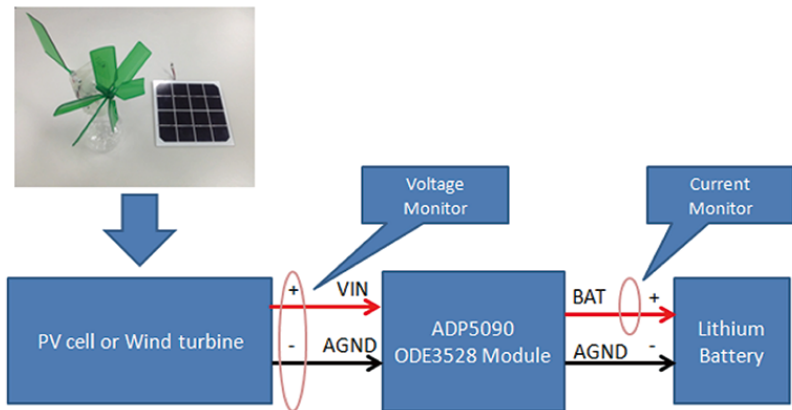


Energy harvesting PMU with MPPT ADP5091 charge management



Focus Market & Application

- Touch Dimming for lighting control
- Multifunctional air quality detector
- Earthquake detector

Solve the design challenge

- ADP5091 provide efficient conversion of the harvested limited power with microwatt operation losses and fast cold start from 380 mV to gather more energy.
- Make sure life time of the rechargeable battery