

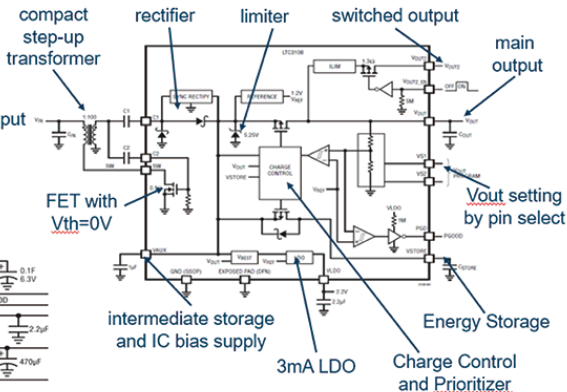
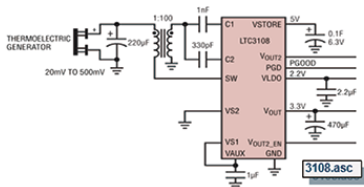
Thermal Power management/LTC3108

Key Feature

- Operates from inputs as low as 20mV
- Alternate Fixed Output Voltages
- Unique Resonant Power converter / Energy Harvester
- Auxiliary LDO
- Manages Energy storage between Reservoir and Main Cout or Batt
- Compact Step-up X-former
- 3x4mm DFN or GN16 packages

FEATURES

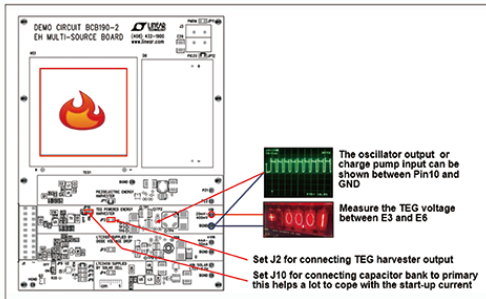
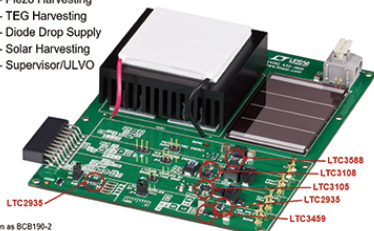
- Operates from Inputs of 20mV
- Complete Energy Harvesting Power Management System
 - Selectable V_{OUT} of 2.35V, 3.3V, 4.1V or 5V
 - LDO: 2.2V at 3mA
 - Logic Controlled Output
 - Reserve Energy Output
- Power Good Indicator
- Uses Compact Step-Up Transformers
- Small 12-Lead (3mm x 4mm) DFN or 16-Lead SSOP Packages



Energy Harvesting Kit – with Demo Board DC2080A*

Featuring:

- LTC3588 – Piezo Harvesting
- LTC3108 – TEG Harvesting
- LTC3105 – Diode Drop Supply
- LTC3459 – Solar Harvesting
- LTC2935 – Supervisor/ULVO



* Formerly known as BC919-2